



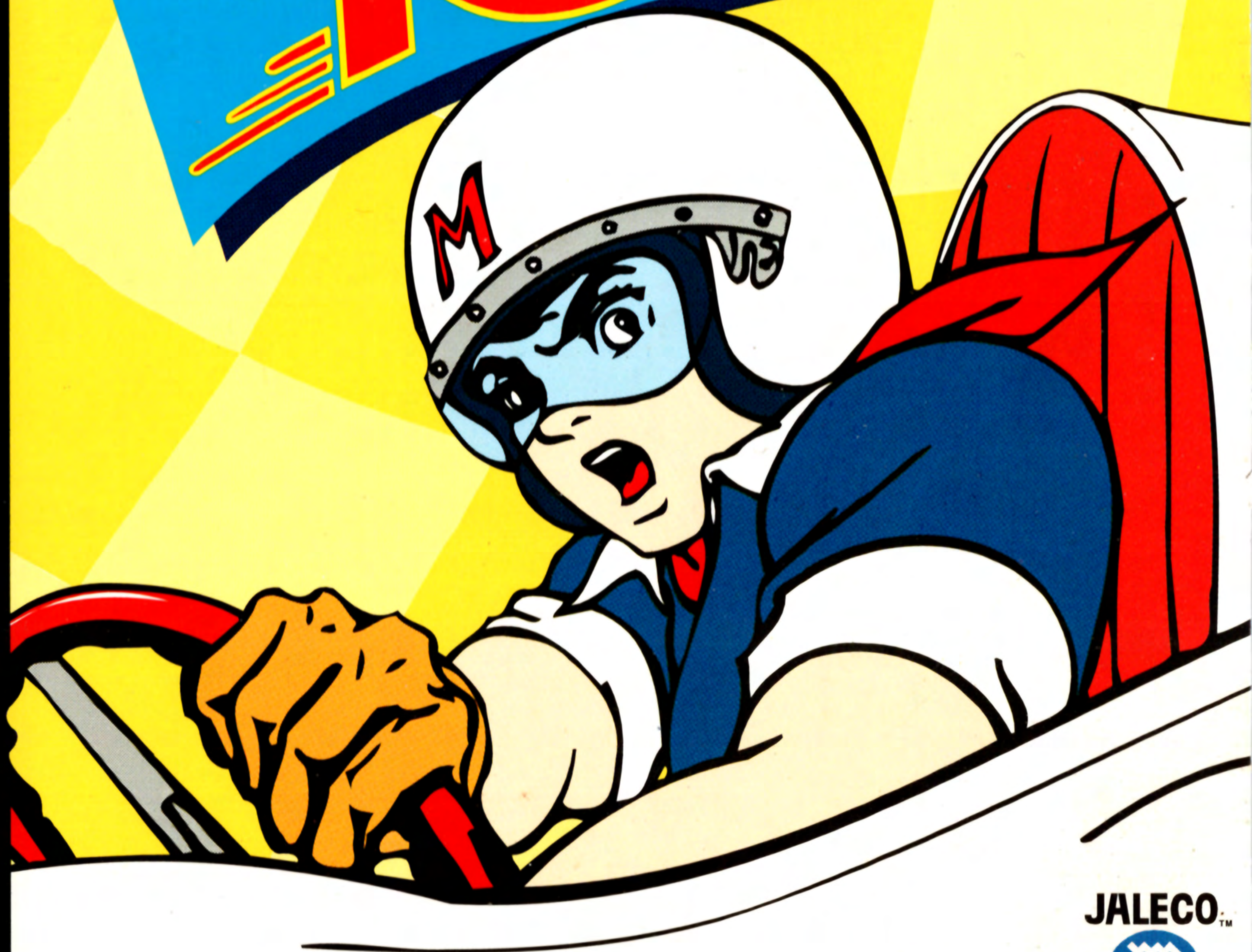
NTSC U/C

PlayStation™



SLUS-00613  
50008

# SPEED RACER™



## **HANDLING YOUR PLAYSTATION™ DISC:**

- The PlayStation disc is intended for use exclusively with the PlayStation.
- Do not bend it, crush it, or submerge it in liquids.
- Do not leave it in direct sunlight or near a radiator or other source of heat.
- Be sure to take an occasional recess during extended play, to rest yourself and the PlayStation compact disc.
- Keep your PlayStation compact disc clean. Always hold the edges and keep it in its case when not in use. Clean with a lint-free, soft, dry cloth, wiping in straight lines from center to edge. Never use solvents or abrasive cleaners.

## **WARNING TO OWNERS OF PROJECTION TELEVISIONS:**

*STILL PICTURES OR IMAGES MAY CAUSE PERMANENT PICTURE-TUBE DAMAGE OR MARK THE PHOSPHOR OF THE CRT. AVOID REPEATED OR EXTENDED USE OF VIDEO GAMES ON LARGE-SCREEN PROJECTION TELEVISIONS.*

## **WARNING: READ BEFORE USING YOUR PLAYSTATION GAME CONSOLE.**

A very small percentage of individuals may experience epileptic seizures when exposed to certain light patterns or flashing lights. Exposure to certain patterns or backgrounds on a television screen or while playing video games may induce an epileptic seizure in these individuals. Certain conditions may induce previously undetected epileptic symptoms even in persons who have no history of prior seizures or epilepsy. If you, or anyone in your family, has an epileptic condition, consult your physician prior to playing. If you experience any of the following symptoms while playing a video game — dizziness, altered vision, eye or muscle twitches, loss of awareness, disorientation, any involuntary movement, or convulsions — IMMEDIATELY discontinue use and consult your physician before resuming play.

*This product has been rated by the Entertainment Software Ratings Board. For information about the ESRB rating, or to comment about the appropriateness of the rating, please contact the ESRB at 1-(800) 771-3772.*

# TABLE OF CONTENTS

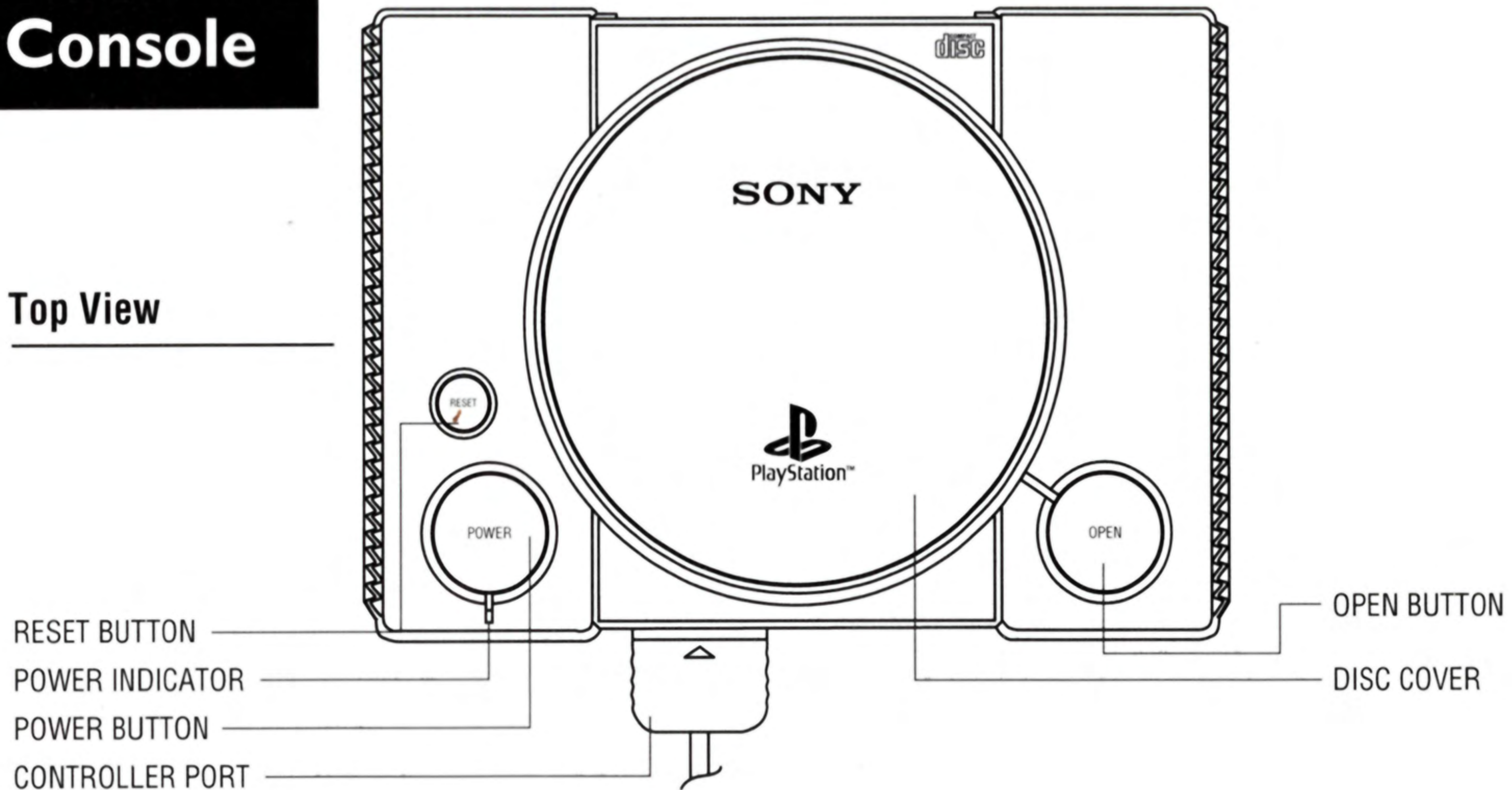
SETTING UP YOUR GAME .....	1
MENU CONTROLLER FUNCTIONS .....	2
RACE CONTROLLER FUNCTIONS .....	3
PAUSE MENU.....	4
OPTIONS.....	4
RACE START.....	5
SOUND .....	6
THE GAME SCREEN .....	7, 8
THE MACH 5's SPECIAL FEATURES .....	9, 10
RACER X.....	11
SPEED RACER .....	12
SAVING YOUR GAME .....	13
AUTOSAVING .....	13
LOADING A SAVED GAME .....	13
CREDITS .....	14

# SETTING UP YOUR GAME

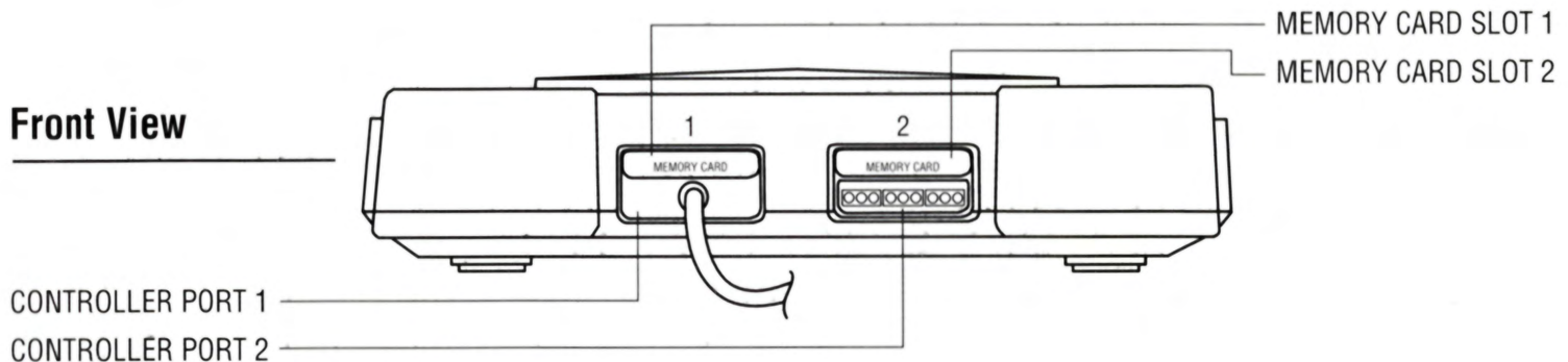
Set up your PlayStation™ game console according to the directions in its Instruction Manual. Make sure the power is off before inserting or removing a compact disc. Insert the SPEED RACER™ disc and close the disc cover. Insert game controllers and turn on the PlayStation game console. Follow the on-screen instructions to start a game.

## Console

### Top View

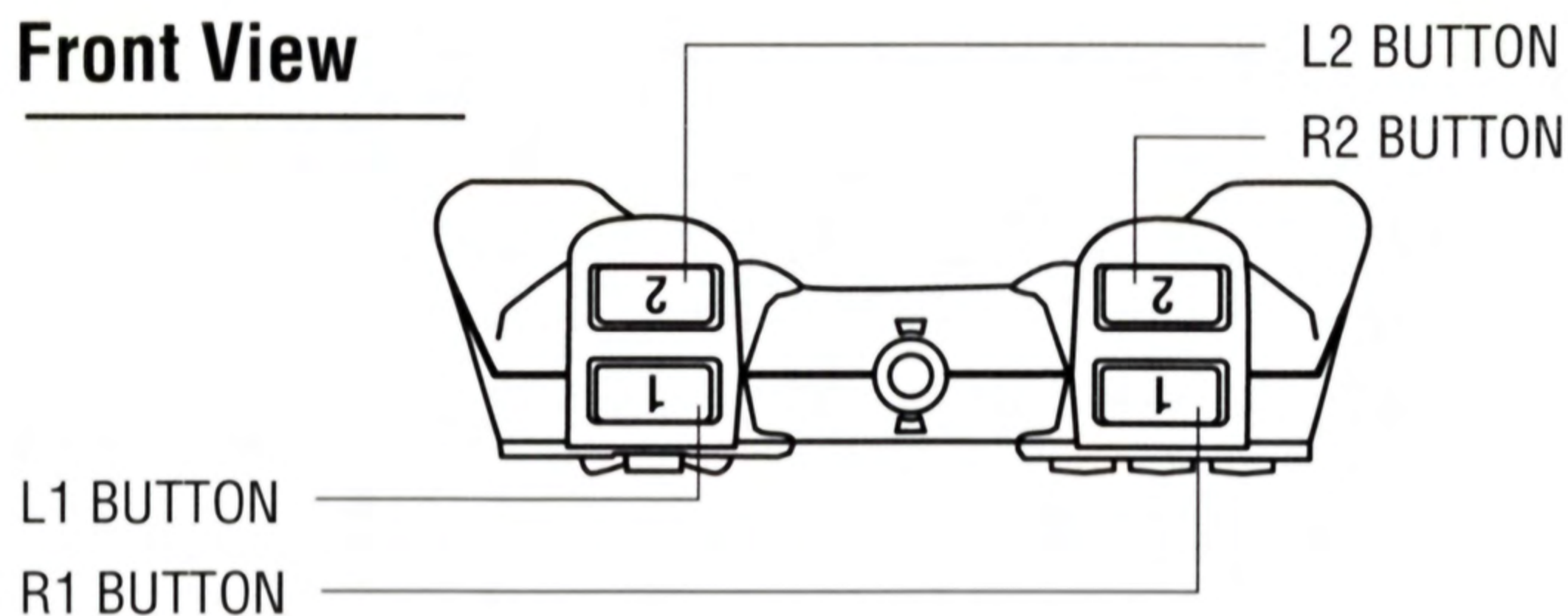


### Front View

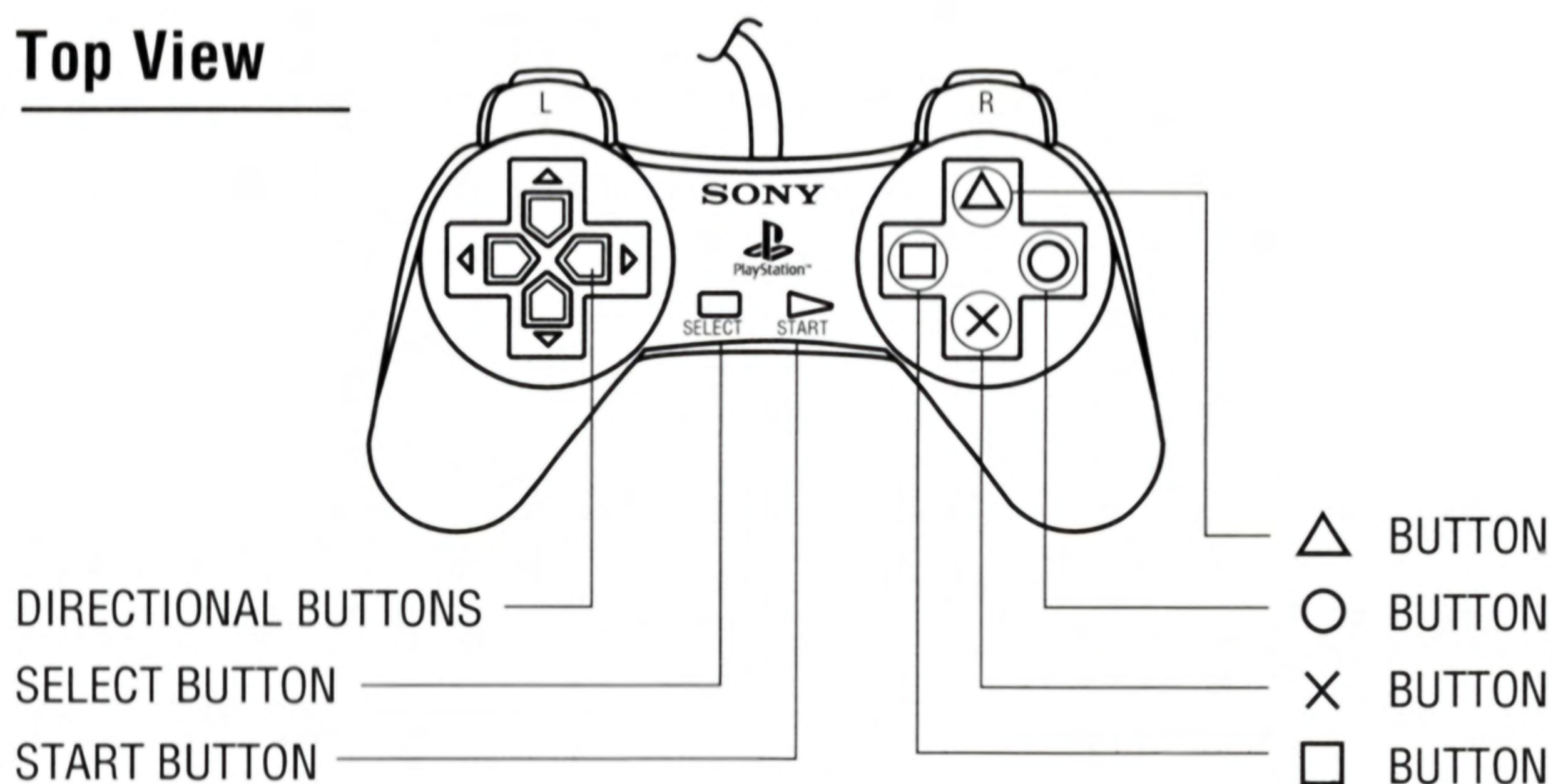


# Controller

## Front View



## Top View



# MENU CONTROLLER FUNCTIONS

**DIRECTIONAL BUTTONS** — move through selections

× —decision / enter

△ —cancel decision / return to previous screen

# RACE CONTROLLER FUNCTIONS

The Default or Type A settings include:

**DIRECTIONAL LEFT** — Turn left

**DIRECTIONAL RIGHT** — Turn right

When using a race car with a Manual Transmission:

**DIRECTIONAL UP** — Shift down

**DIRECTIONAL DOWN** — Shift up

X — Accelerator

O — Activate / Disengage special feature

□ — Brakes

**L1** - Select a special feature on steering wheel hub (counter-clockwise)

**R1** - Select a special feature on steering wheel hub (clockwise)

**L2** - Adjust camera view (zoom in)

**R2** - Adjust camera view (zoom out)

## **PAUSE MENU**

Pressing **START** during a race places the game into Pause mode.

To continue a race, select **CANCEL**.

To restart a race, select **RESTART**.

To return to the title screen, select **EXIT**.

Soft Reset: Return to the title screen by pressing **START** and selecting **EXIT** from the **PAUSE** menu.

## **THE MAIN MENU**

Select **OPTION** if you would like to reconfigure race settings, adjust your controller settings, or access a Memory card. Set up a race by choosing **RACE START**. Select **SOUND** to adjust the sound output, and to listen to the musical tracks.

To return to the previous menu from any of the option or menu screens, select Exit.

## **OPTIONS**

### **Game Mode Options**

Race Style: Normal, Endurance

Enemy Level: Very Easy, Easy, Normal, Hard, Very Hard

Auto Save: Off / On

## **Key Assign Options**

Select from one of four controller types: **A**, **B**, **C**, or **EDIT**.

Choosing **EDIT** allows you to customize your controller's button functions. Press **START** to begin editing the button functions on your controller.

## **Data Options**

To review the top five race times and the fastest lap for each track select **Ranking**. The race car and driver who posted the record time are also shown.

Access memory cards by choosing **Memory Card**.

To load previously saved data, select **Load**, then follow the on screen prompts. To save your current game data, select **Save**, then follow the on screen prompts.

## **RACE START** **Course Select**

Choose from three courses, **S**, **M**, or **L**. The **M** and **L** courses are more difficult, but a variety of shortcuts can be found.

## **Time Trial Mode**

Holding **SELECT** while choosing a course engages the Time Trial mode. In Time Trial mode, there are only two cars on the course. The first is your car. The second car is a pace car piloted by Racer X. If you're driving the Shooting Star, Speed Racer will pace you in his Mach 5.



## **Car Select**

At the beginning of a new game you can choose one of three Mach 5 variants. Finish a race in 1st place on each course, with Enemy Level set to Normal, to gain access to opponent race cars. More cars are hidden. Can you find them?

**The Mach 5 Automatic-G** offers balanced acceleration and grip, but sacrifices top speed. A good choice for beginners.

**The Mach 5 Automatic-S** achieves a higher top speed than that of the Automatic-G or the Manual variants, but it is more difficult to control.

**The Mach 5 Manual** also offers balanced acceleration and grip, but has a higher top speed than the Automatic-G.

## **SOUND**

### **Setting Options**

Output: Stereo, Monaural

BGM Volume: Off, 1, 2, 3

SE Volume: Off, 1, 2, 3

BGM Mode: Default, Shuffle, BGM:1, BGM:2, BGM:3, BGM:4

# THE GAME SCREEN

**Speedometer:**  
Current speed in mph

**Lap:**

Laps completed / Total laps

**Current Lap Time:**

Fastest lap time is highlighted in red



## **Tachometer:**

Displays how hard the engine is working

**Current Gear Position**

**Race Position**

**Steering Wheel Hub**

**Race Leader**

**Player**

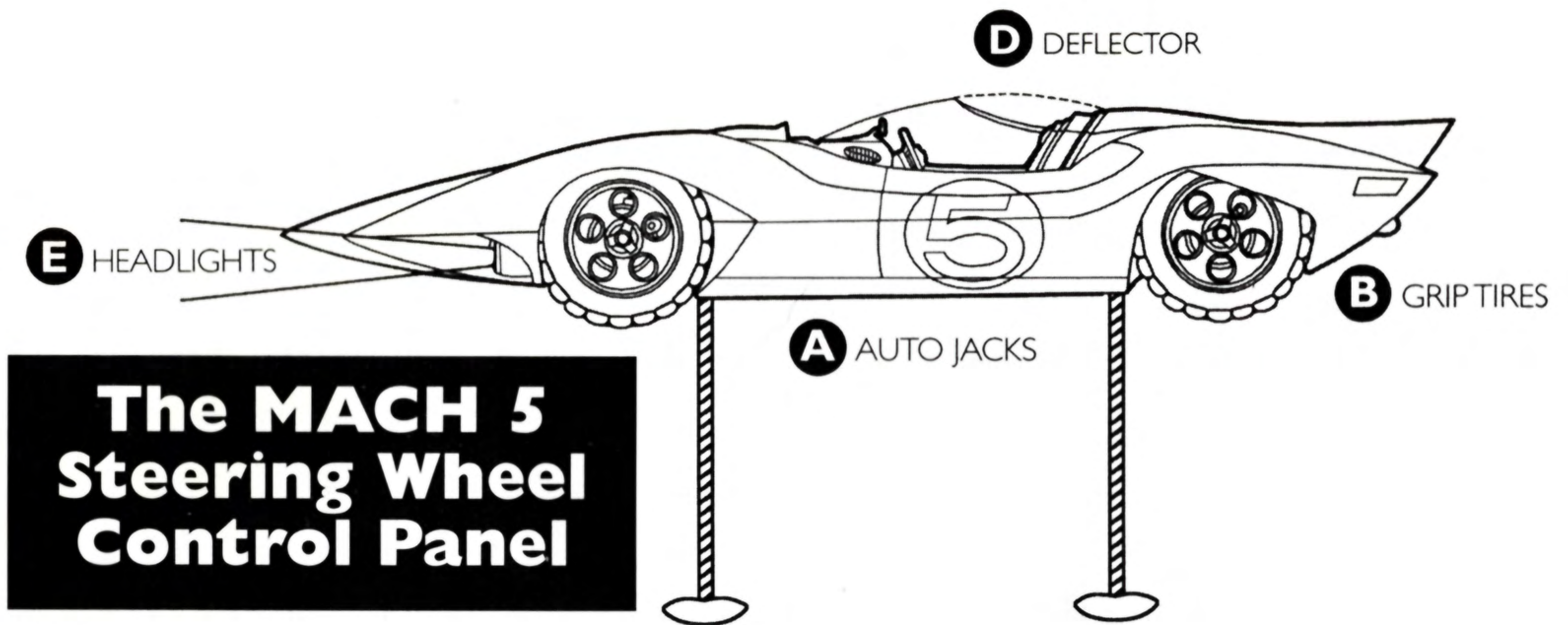
**Course Map**



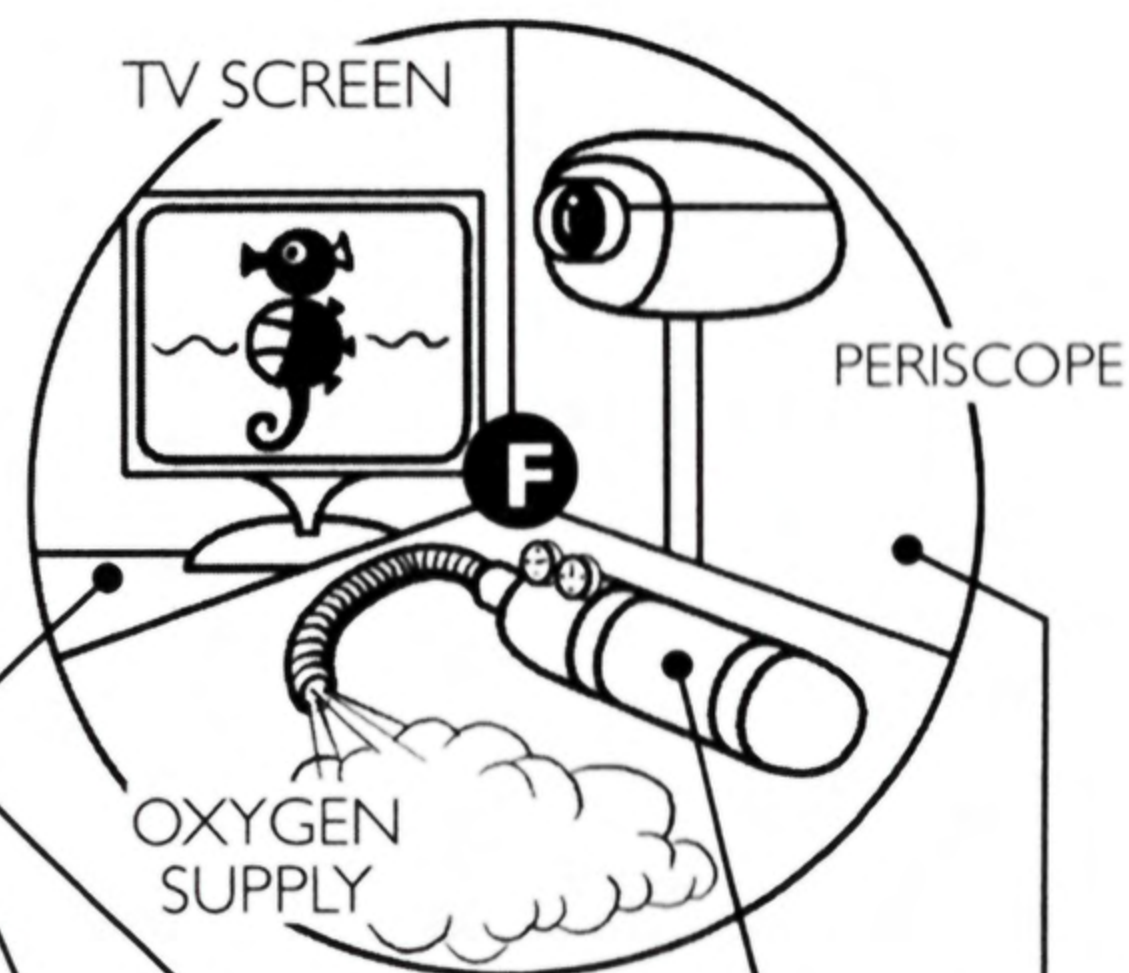
# THE MACH 5's SPECIAL FEATURES

The hub of the steering wheel on the Mach 5 is home to several lettered buttons, each of which activates a customized accessory. During a race, this hub appears in the upper right hand corner of the screen.

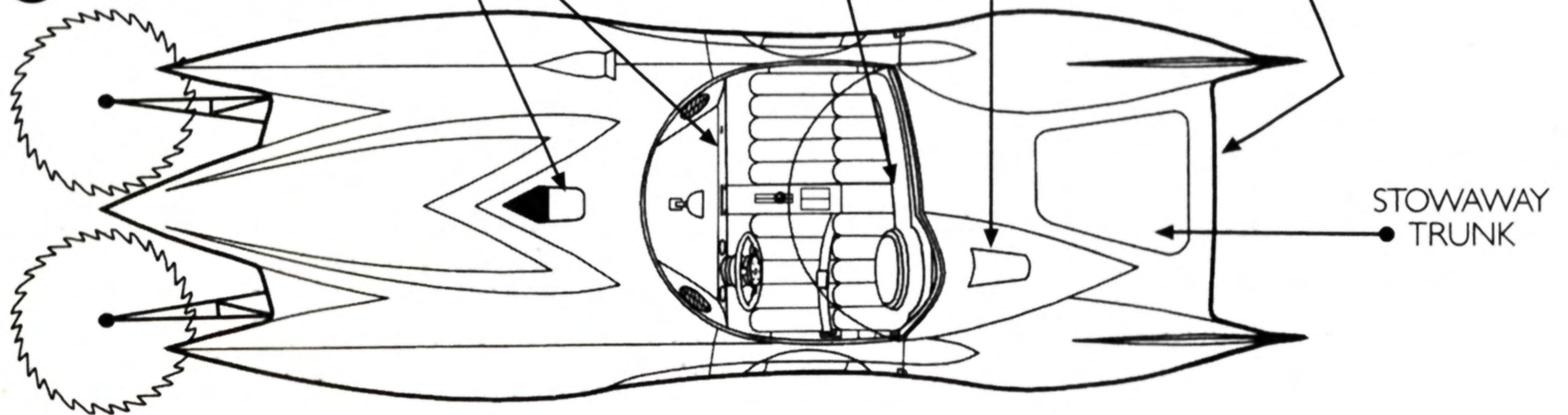
- O** – Activate/Disengage special feature
- LI** – Select a special feature on steering wheel hub (counter-clockwise)
- RI** – Select a special feature on steering wheel hub (clockwise)
  
- A.** The A button activates auto-jacks that can be used to jump the race car short distances at high speeds.
- B.** The B button engages special belts that surround the tire. This is especially useful when racing on rough terrain.
- C.** The C button extends two rotary saws from the front of the car- useful for cutting down trees.
- D.** The D button activates a deflector which seals the cockpit into a water-tight chamber, just in case Speed has to race underwater.
- E.** The E button activates a special illumination system that allows Speed to race in total darkness.
- F.** The F button activates the Mach 5's submarine-like periscope and aqua-propulsion system.
- G.** The G button releases a homing pigeon that tracks the progress of Racer X and his Shooting Star on the Course Map.



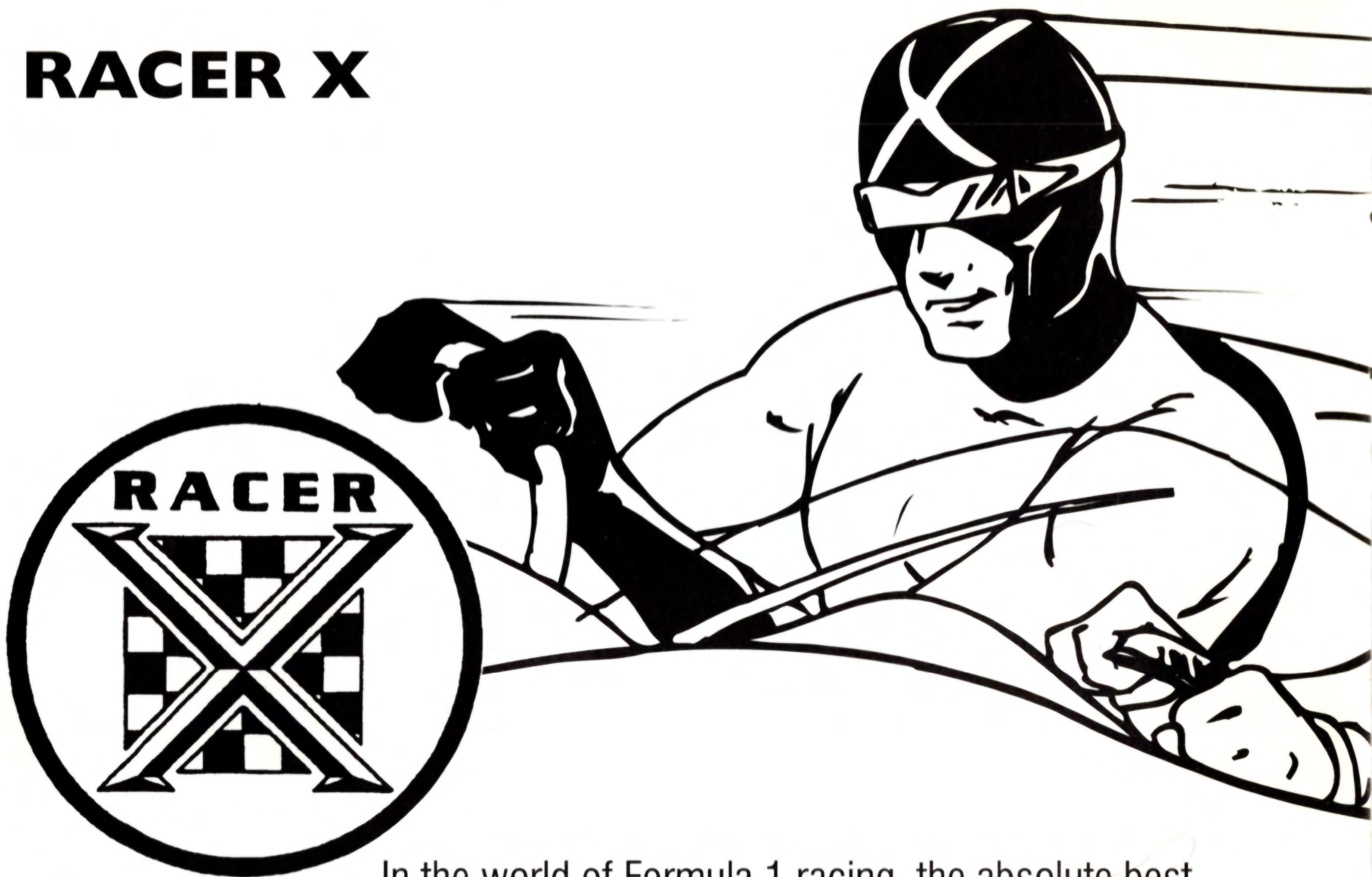
**G** HOMING ROBOT



**C** ROTARY SAWS



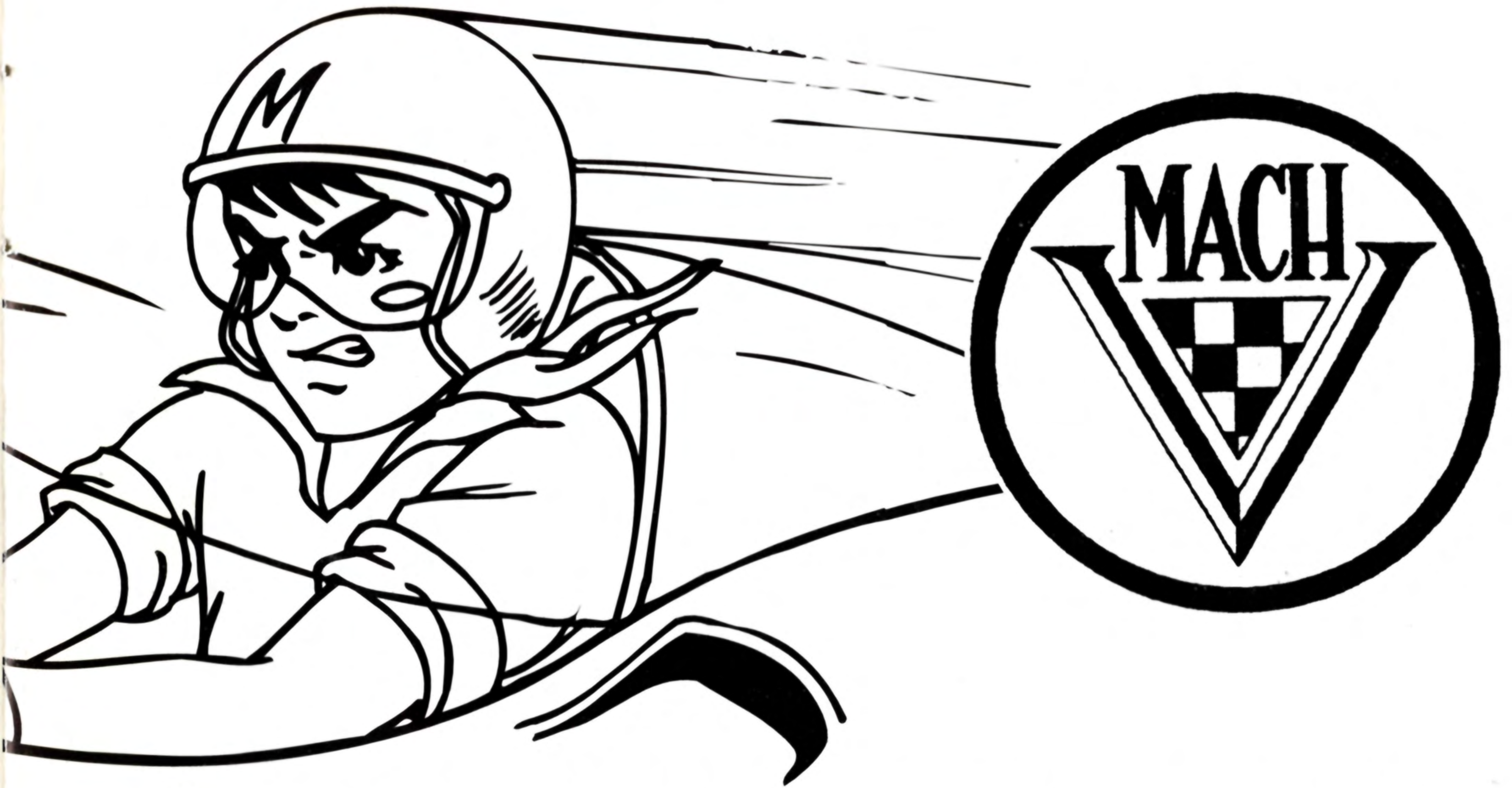
# RACER X



In the world of Formula 1 racing, the absolute best and least understood driver of them all is the mysterious Racer X. But that was before Speed Racer entered the circuit. When the once unbeatable Racer X competes, everyone knows there will be trouble.

Ironically, Racer X is not only Speed's greatest competitor, he is also his secret protector! For in reality, Racer X is actually Rex Racer — Speed's older brother who left his family to follow his own course and now works undercover as a top secret Interpol agent.

# SPEED RACER



Speed Racer is a smart, courageous, resourceful teenage race car driver with the fastest, most advanced car in the world. His ambition is to be the greatest race car driver in the world.

Speed is a true hero. This never-say-die driver would rather lose a race than intentionally harm someone in the process of winning. On the other hand, Speed has no sympathy for those unscrupulous racers who are hurt as a result of their own malicious style of driving.

No matter the situation, Speed can always be found with a winning smile for his girl, Trixie.

# **SAVING YOUR GAME**

You'll need a Memory card (sold separately) to save your data. Make sure your Memory card is properly inserted into Memory card slot 1. At the options screen, select data followed by Memory Card. Select "Save" then follow the on-screen prompts.

## **AUTOSAVING**

Again, you'll need a Memory card (sold separately) to save your data. Your race data is saved automatically without having to revert to the Memory Card screen after each race.

## **LOADING A SAVED GAME**

Make sure that the Memory card with your SPEED RACER game data is properly inserted into Memory card slot 1. At the Memory Card screen, select "Load", then follow the on-screen prompts.

**WARNING:** Do not remove or insert a Memory card during a save or load operation.



# CREDITS

Developed by Graphic Research Co., Ltd.

## **Jaleco USA, Inc.**

President .....Ken Nakata  
Vice President-Consumer Division....Greg Hasler  
Product Manager .....Jarik R. Sikat  
Japanese Language Translation .....Yukiko Tanaka  
Package Design .....Murrie Lienhart Rysner & Associates

## **Special Thanks**

Shirley Vega, Ed Manning, Harry Hori, James Rocknowski, John Rocknowski

This product has been rated by the Entertainment Software Ratings Board. For information about the ESRB rating, or to comment about the appropriateness of the rating, please contact the ESRB at 1-(800) 771-3772.

# **JALECO USA, INC. LIMITED WARRANTY**

Jaleco USA, Inc. warrants to the original purchaser of this Jaleco software product that the medium on which this computer program is recorded is free from defects in materials and workmanship for a period of ninety (90) days from the date of purchase. This Jaleco software program is sold "as is" without express or implied warranty of any, and Jaleco is not liable for any losses or damages of any kind resulting from use of this program. Jaleco agrees for a period of ninety (90) days to either repair or replace, at its option, free of charge, any Jaleco software product, postage paid, with proof of date of purchase, at its Factory Service Center.

This warranty is not applicable to normal wear and tear. This warranty shall not be applicable and shall be void if the defect in the Jaleco software product has arisen through abuse, unreasonable use, mistreatment, or neglect. THIS WARRANTY IS IN LIEU OF ALL OTHER WARRANTIES AND NO OTHER REPRESENTATIONS OR CLAIMS OF ANY NATURE SHALL BE BINDING ON OR OBLIGATE JALECO. ANY IMPLIED WARRANTIES APPLICABLE TO THIS SOFTWARE PRODUCT, INCLUDING WARRANTIES OF MERCHANTABILITY AND FITNESS FOR PARTICULAR PURPOSE, ARE LIMITED TO THE NINETY (90) DAY PERIOD DESCRIBED ABOVE. IN NO EVENT WILL JALECO BE LIABLE FOR ANY SPECIAL, INCIDENTAL, OR CONSEQUENTIAL DAMAGES RESULTING FROM POSSESSION, USE, OR MALFUNCTION OF THIS JALECO SOFTWARE PRODUCT.

Some states do not allow limitations as to how long an implied warranty lasts and/or exclusions or limitations of incidental or consequential damages so the above limitations and/or exclusions of liability may not apply to you. This warranty gives you specific rights, and you may also have other rights which vary from state to state.

©1998 SPEED RACER ENTERPRISES, INC. All Rights Reserved. SPEED RACER is a Trademark of SPEED RACER ENTERPRISES, INC. and is used under license.

Jaleco and the Jaleco logo are trademarks of Jaleco Ltd.

JALECO USA, Inc.  
225 Larkin Drive., Unit 4  
Wheeling, IL 60090  
(847)215-2359



**WWW.JALECO.com**  
**www.speedracer.com**

©1998 SPEED RACER ENTERPRISES, INC. All Rights Reserved. SPEED RACER is a Trademark of SPEED RACER ENTERPRISES, INC. and is used under license. Jaleco and the Jaleco logo are trademarks of Jaleco Ltd.

Licensed by Sony Computer Entertainment America for use with the PlayStation game console. PlayStation and the PlayStation logos are trademarks of Sony Computer Entertainment Inc. The ratings icon is a trademark of the Interactive Digital Software Association. Manufactured and printed in the U.S.A. THIS SOFTWARE IS COMPATIBLE WITH PLAYSTATION GAME CONSOLES WITH THE NTSC /UC DESIGNATION. U.S. AND FOREIGN PATENTS PENDING.

